

## Wastewater Pumps

### S-WP4 - 50 Hz

#### Product Applications

The S-WP4 pump is especially designed for wastewater applications and offers high hydraulic efficiencies from 18-65 kW. It is suitable for unscreened wastewater from sewage plants and industries.

#### Design

The characteristics of our wastewater pumps are high quality, long lifetime and user friendly design. The S-WP4 pump can be delivered as dry, wet or portable installation and with either a channel, vortex or a B-tween impeller.

#### Materials

Pump Housing, base elbow, cartridge seal	Grey cast iron	GJL-250(GG25)	A-48 Class35
Impeller (cast iron) adapter	Ductile cast iron	GJS-400-15 (GGG-40)	A536 GR 65-45
Option: Stainless steel impeller	Stainless cast steel	W.Nr.1.4401	AISI 316
Shaft	Stainless steel	W.Nr.1.4057	AISI 431
Seal sleeve, screws	Stainless steel	W.Nr.1.4301	AISI 304
Coolant	30% Propylene glycol	70% water	
O-rings	Nitrile	NBR	
Oil	Mobil DTE 24	Premium Hydraulic	
Mechanical seal	Media side: SIC / SIC	Cooling side: SIC / Carbon	
Motor	Siemens	EFF 1	Class H

#### Operation standards

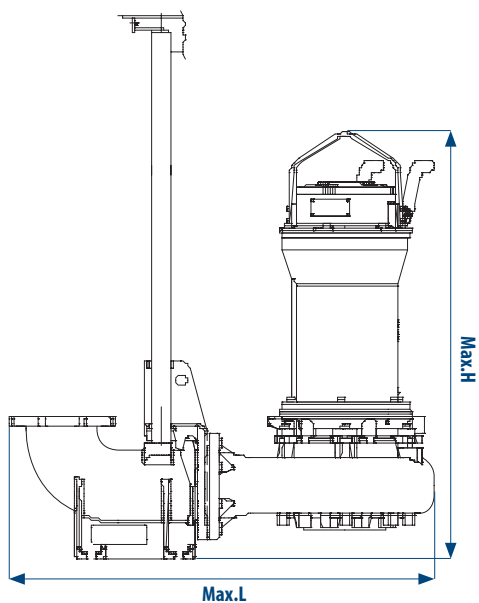
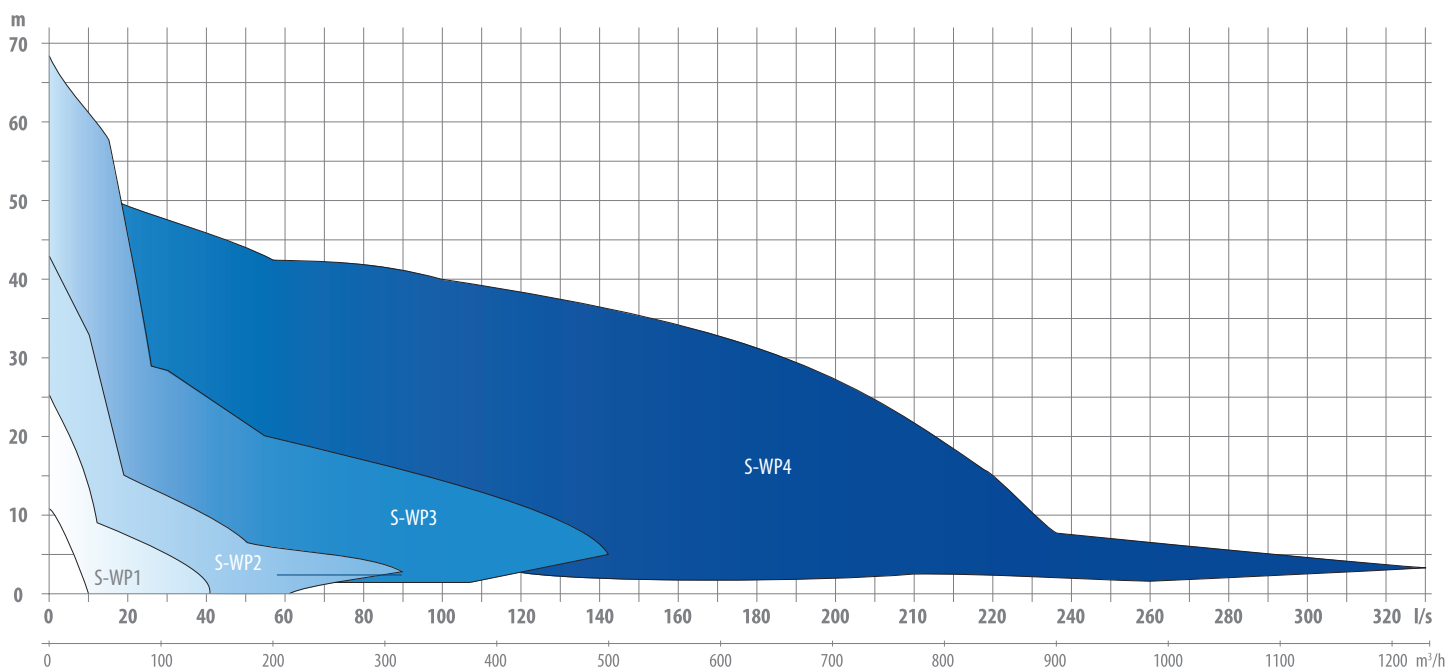
- Connections up to DN300
- Flow Rate up to 1200 m<sup>3</sup>/h
- Overheating and moisture protection
- Channel, vortex and B-tween impellers in the same volute
- Double mechanical cartridge seal
- High-efficient motors
- Long lifetime due to accurate balancing
- Customized solutions and a modular system
- All S-WP pumps can be fitted with closed cooling jacket
- Easy maintenance
- Adjustable wear ring



Sulteq Distributie Pompen B.V.  
 Opaalstraat 60  
 7554 TS Hengelo(o)  
 Phone.: +31 (0) 88 25 88 900

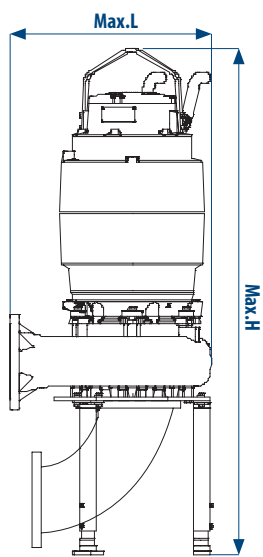
[info@sulteq.nl](mailto:info@sulteq.nl)  
<http://www.sulteq.nl>

Performance Curves - Complete -WP1 to -WP4 Range - 50 Hz

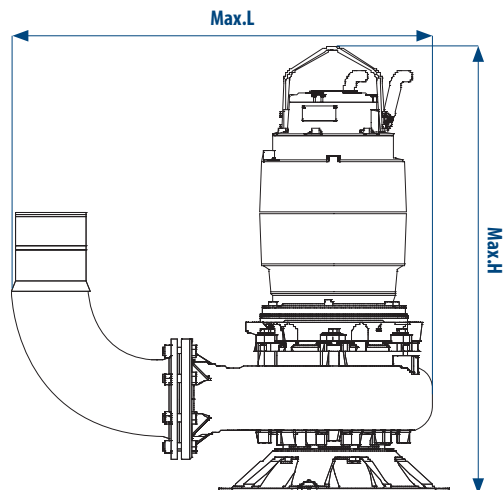


S-WP4- Wet Pit Installation

Please note that cooling jacket is an optional choice.



S-WP4- Dry Pit Installation



S-WP4 - Portable Installation

Type	kW P2	Rpm	Inlet in mm	Outlet flange
S-WP4-100-4	18,5	1465	80	DN100
S-WP4-100-4	22	1465	80	DN100
S-WP4-100-4	30	1465	80	DN100
S-WP4-100-4	37	1465	80	DN100
S-WP4-100-4	45	1465	80	DN100
S-WP4-100-4	55	1465	80	DN100
S-WP4-100-4	65	1475	80	DN100
S-WP4-150-4	18,5	1465	150	DN150
S-WP4-150-4	22	1465	150	DN150
S-WP4-150-4	30	1465	150	DN150
S-WP4-150-4	37	1465	150	DN150
S-WP4-150-4	45	1465	150	DN150
S-WP4-150-4	55	1465	150	DN150
S-WP4-150-4	65	1475	150	DN150
S-WP4-200-4	18,5	1465	200	DN200
S-WP4-200-4	22	1465	200	DN200
S-WP4-200-4	30	1465	200	DN200
S-WP4-200-4	37	1465	200	DN200
S-WP4-200-4	45	1465	200	DN200
S-WP4-200-4	55	1465	200	DN200
S-WP4-200-4	65	1475	200	DN200

Type	kW P2	Rpm	Inlet in mm	Outlet flange
S-WP4-200-6	18,5	970	200	DN200
S-WP4-200-6	22	975	200	DN200
S-WP4-200-6	30	975	200	DN200
S-WP4-200-6	37	975	200	DN200
S-WP4-250-6	18,5	970	250	DN250
S-WP4-250-6	22	975	250	DN250
S-WP4-250-6	30	975	250	DN250
S-WP4-250-6	37	975	250	DN250
S-WP4-250-4	18,5	1465	250	DN250
S-WP4-250-4	22	1465	250	DN250
S-WP4-250-4	30	1465	250	DN250
S-WP4-250-4	37	1465	250	DN250
S-WP4-250-4	45	1465	250	DN250
S-WP4-250-4	55	1465	250	DN250
S-WP4-250-4	65	1475	250	DN250
S-WP4-300-6	18,5	970	300	DN300
S-WP4-300-6	22	975	300	DN300
S-WP4-300-6	30	975	300	DN300
S-WP4-300-6	37	975	300	DN300
S-WP4-300-6	45	975	300	DN300
S-WP4-300-8	15	725	300	DN300
S-WP4-300-8	18,5	725	300	DN300

Type	Installation	Max. Height	Max. Width	Max. Length
S-WP4-100	Wet Pit	1224	527	1153
	Dry Pit	1811	537	690
	Portable	1385	527	732
S-WP4-150	Wet Pit	1228	540	1242
	Dry Pit	1848	550	687
	Portable	1348	596	857
S-WP4-200	Wet Pit	1263	540	428
	Dry Pit	1325	572	725
	Portable	1423	600	1202
S-WP4-250	Wet Pit	1974	654	521
	Dry Pit	2078	668	806
	Portable	1506	654	1550
S-WP4-300	Wet Pit	1527	785	521
	Dry Pit	2116	861	1018
	Portable	1555	1000	1749

All dimensions are in mm.