

Sludge Pumps

S-WS20 and -WS30, 50 Hz

Product Applications

The S-WS20 and -WS30 is a high-efficient lightweight sludge pump built in aluminium, which ensure easy handling and installation. The S-WS20 and -WS30 is suitable for pumping sludge and water mixed with solids, and is the ideal choice for plug-in operations and is ready for use when delivered on site.

Design

The low weight and compact design ensure convenient transport, handling and installation.

Operation standards

- Max. submergence: 20 meter
- Max. temperature of pumped media at maximum power input and continuous duty: 40°C
- Max. medium density: 1100 kg/m³
- pH of the pumped medium: 5-8
- Motor protection: Build-in thermal switches in the stator windings (140°C, ±5) connected to build-in contactor
- Reliable and wear resistant

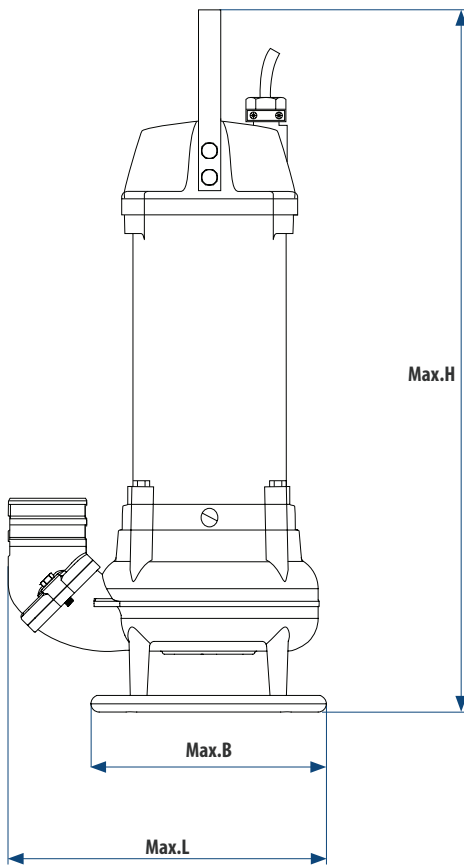


Sulteq Distributie Pompen B.V.
Opaalstraat 60
7554 TS Hengelo(o)
Phone.: +31 (0) 88 25 88 900

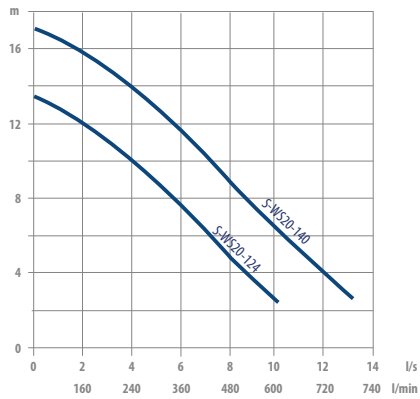
info@sulteq.nl
<http://www.sulteq.nl>

Materials

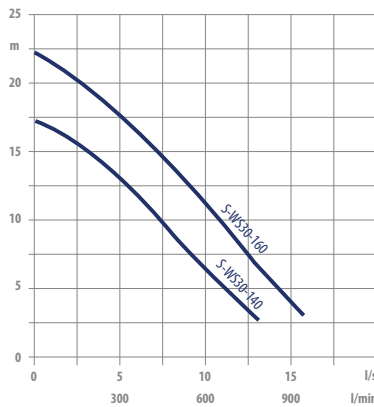
Motor housing	Aluminium		
Volute and Impeller	Nodular cast iron	1563:ENGJS-HB150	ASTM A 536-80:60-40-18
Handle and Fasteners	Stainless steel	10088: X5CrNi18-10 (W.Nr. 1.4301)	AISI 304
Shaft	Stainless steel	10088: X20Cr13 (W.Nr. 1.4057)	AISI 420
O-rings	NBR		
Double Mechanical Seal	In oil bath		
Shaft Seal	Primary seal: SIC/SIC Secondary seal: Stainless steel / Carbon		
Bearings	Upper bearing: Single-row deep groove ball bearing Lower bearing: Double angular contact ball bearing		
Cable	20 m		



Performance Curve - DanPumps S-WS20 - 50 Hz



Performance Curve - DanPumps S-WS30 - 50 Hz



Type - 50 Hz	kW P2	Rpm	Outlet flange	Dimensions in mm			Voltage (V)	Current (A)	Weight (kg)
				Max. H	Max. W	Max. L			
S-WS20-124	2,0	2870	3" Hose Connection*	700	207	320	3 x 230/400	7,3 / 4,2	29
S-WS20-140	2,0	2870	3" Hose Connection*	700	207	320	3 x 230/400	4,2 / 7,3	29
S-WS30-140	3,3	2870	3" Hose Connection*	700	207	320	3 x 230/400	12 / 6,9	31
S-WS30-160	3,3	2870	3" Hose Connection*	700	207	320	3 x 230/400	12 / 6,9	31

* Optional discharge connections: 2½", 4" connections and 2½", 3", 4" B.S.P. threaded connections.
Option: Float switch.

Sulteq Distributie Pompen B.V.
Opaalstraat 60
7554 TS Hengelo(o)
Phone.: +31 (0) 88 25 88 900

info@sulteq.nl
<http://www.sulteq.nl>